

QR1000(I) Full Page Passport Reader

QR1000(I) Full Page Passport Reader is a compact, fast and multi-functional document reader based on OCR technology. It is designed for extracting data from ICAO standard travel documents. It provides ideal solutions for identifying Passports, Visa, ID cards, Driver License and other travel documents.



Features



Read ICAO compliant & Non-ICAO documents



Obtain digital data from contactless chips (Opt)



Capture images in white, IR Illuminations



Combine with high accuracy OCR SDK



Applicable for self-service kiosk



Provide OCR customization service

Applications



Airport
Border Control



Security
Access Control



Hotel
Property Management



Finance
Payment Process

Specification

Supported Documents

Machine Readable Zone	ICAO 9303 standard compliant documents:
	ID-1 (Identity Card)
	ID-2 (Visa)
Visual Inspection Zone	ID-3 (Passport)
	Customization based on clients' requirements

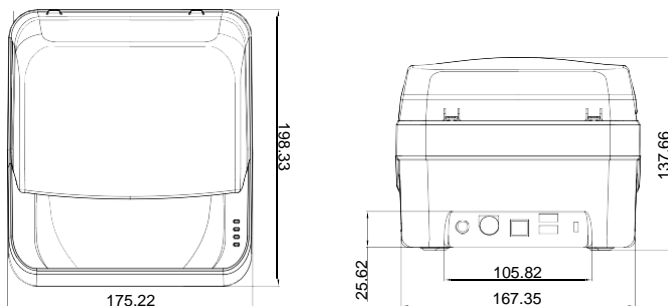
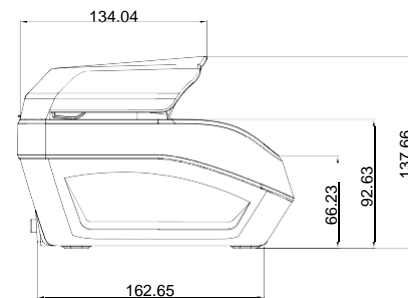
Barcode	1D: Code 128, Code 39, Interleaved 2 of 5
	2D: PDF 417, QR Code, Data Matrix, Aztec Code

Image

Resolution	500 DPI
Illumination	Visible, IR (850nm)
Color Depth	24 bits/pixels
Sensor	CMOS, 5.0 Megapixels (2592*1944) JPG, BMP,
Image Format	PNG
Field of View	127mm*88mm

Software

Supported Operation System	Windows 7,8,10, Vista, XP (32/64 bit WHQL certified)
	Windows Server 2003 & 2008 (32/64 bit)
	Linux Ubuntu, CentOS, RedHat
Development kit	Android
	Complete OCR SDK including DLLs, OCXs, WebSocket, Samples and Demo program
Programming Languages	C#, C/C++, Java, Delphi, Visual Basic 6.0, VB.NET
Security Check	UV Dull Paper Check; MRZ Comparison; Portrait Comparison; IR B900 Ink check.



Hardware

Dimension	175*199*140mm(width*depth*height)
Weight	1.75kg (Net)
	2.00kg (Gross)
Interface	USB 2.0
Status LEDs	Power, Ready, Error and Warning
Buzzer	Build-in buzzer
Power	Input: AC 100~240V, 50-60Hz, 0.8A
	Output: DC 12V, 2A
Operating humidity	20%-95%(non-condensing)
Operating temperature	-10°C to 50°C operating
	-20°C to 50°C storage
Warranty	1 year warranty, extensible

Sinosecu Technology Corporation

+86(0)1082525969
 info@sinosecu.com.cn
 +86 10 6280 0256
 www.sinosecu.com.cn/en/
 501, 5th floor, gate B, building 6, Guochuang Industrial Park, No.8, Laiguangying West Road, Chaoyang, Beijing, China